



ZEISS Distagon T* 2/25



Features

- Fast f/2.0 aperture
- Precise manual focusing
- Robust full-metal construction
- Identical color reproduction of all models
- For industrial cameras with F-Mount up to sensor sizes of 24x36 mm or 43mm line sensors.

ZF-I: Industrial Edition

Features special screws to fix focus and aperture settings even in rough situations.

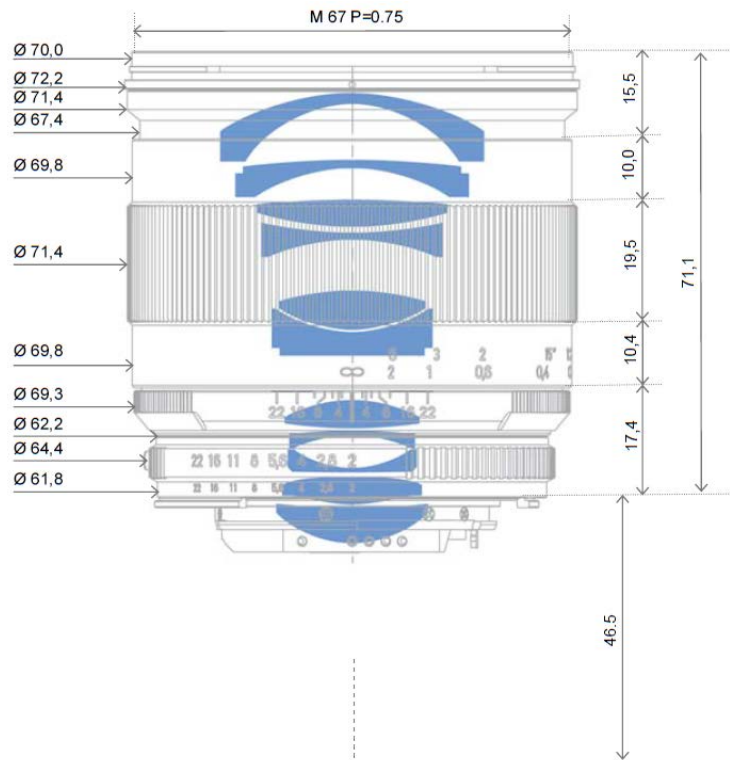
Camera Mounts

Available for other camera mounts such as EF, or M42 screw mount.



ZEISS Distagon T* 2/25

Technical Specifications



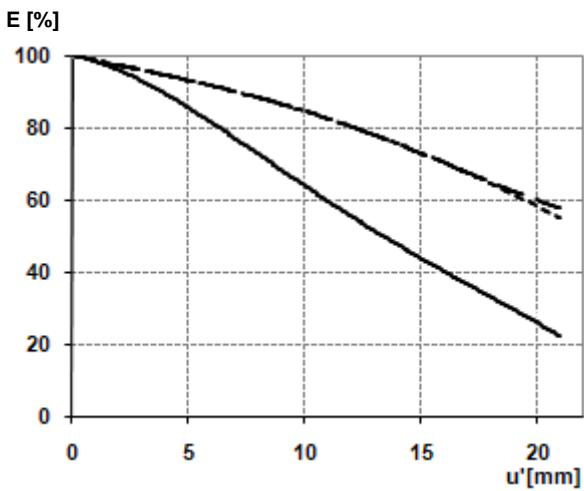
Focal length	25 mm
Aperture range	f/2 – f/22 (1/ 2 stop intervals)
Number of elements / groups	11 / 10
Min. working distance (object to sensor)	250 mm (0.83 ft.) – ∞
Min. free working distance	130 mm (0.43 ft.) – ∞
Angular field* (diag. / horiz. / vert.)	81 / 71 / 21°
Max. diameter of image field	43 mm (1.7")
Flange focal length	F-Mount: 46.5 mm (1.8"); M42-Mount: 45,5 mm
Coverage at close range	219 x 144 mm (8.6 x 5.6"), line 253 mm (9.9")
Image ratio at close range	1:5.9
Filter-thread	M 67 x 0.75
Weight	570 g (1.26 lbs.)
Camera mount	F bayonet, M42, EF

* referring to 35 mm format



ZEISS Distagon T* 2/25

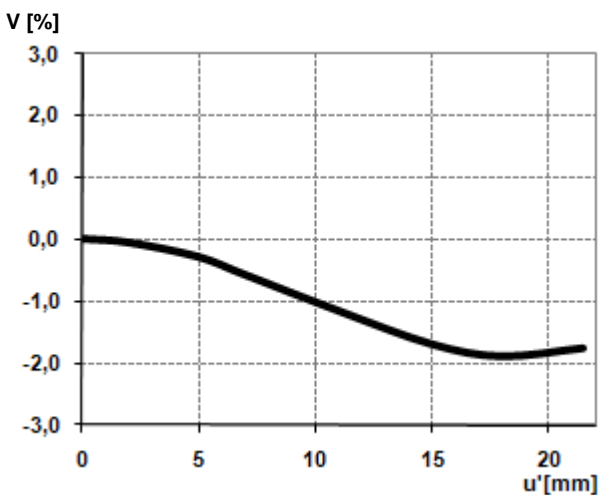
Relative Illuminance*



The relative illuminance shows the decrease in image brightness from the image center to the edge in percent.

— f-number = 2.0
... f-number = 4.0
--- f-number = 5.6

Relative Distortion*



The relative distortion shows the deviation of the actual image height from the ideal one in percent.

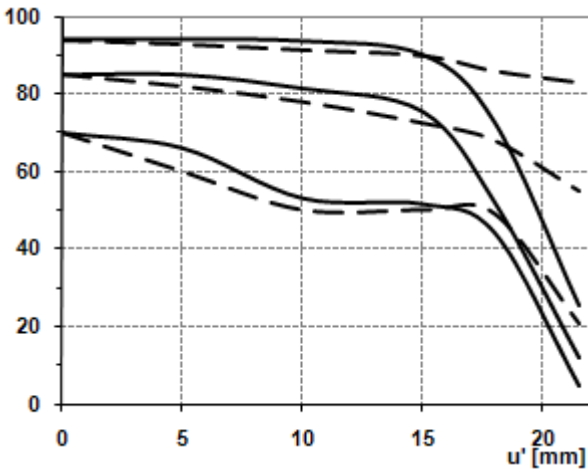
*Data for infinite focus setting



ZEISS Distagon T* 2/25

MTF Charts*

MTF [%]

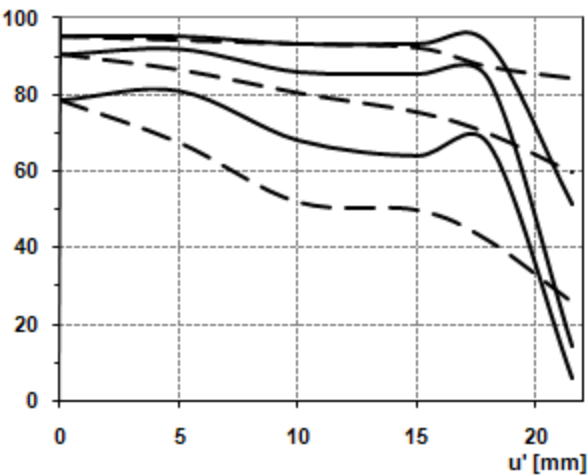


The Modulation Transfer (MTF) as a function of image height (u) and slit orientation (sagittal, tangential) has been measured with white light at spatial frequencies of $R = 10, 20$ and 40 cycles/mm.

f-number = 2.0

— Sagittal
... Tangential

MTF [%]



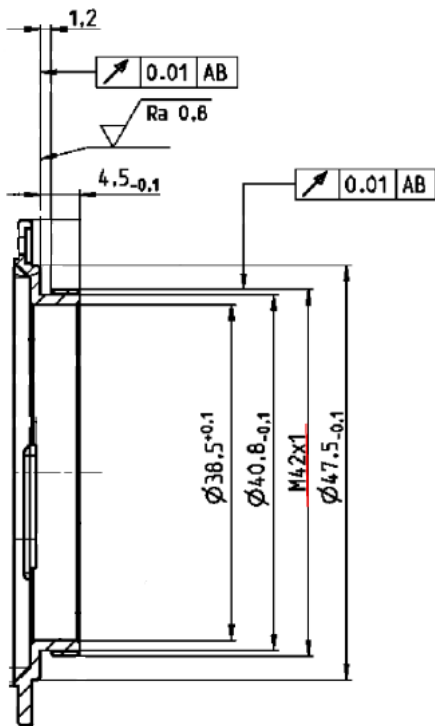
f-number = 4.0

— Sagittal
... Tangential

**Data for infinite focus setting*



ZEISS Distagon T* 2/25



M42 Mount for 45,5 mm Flange Focal Distance

The diameter of the camera/lens adapter must not exceed 55 mm at the lens side!