



ZEISS Interlock 2/50



Features

- Fast f/2.0 aperture
- Precise manual focusing
- Robust full-metal construction
- Continuous aperture setting or click stop
- For industrial cameras up to sensor sizes of 24x36 mm or 41mm line sensors
- High optical performance both at infinity and at 1:2 scale
- Features special screws to fix focus and aperture settings even in rough situations

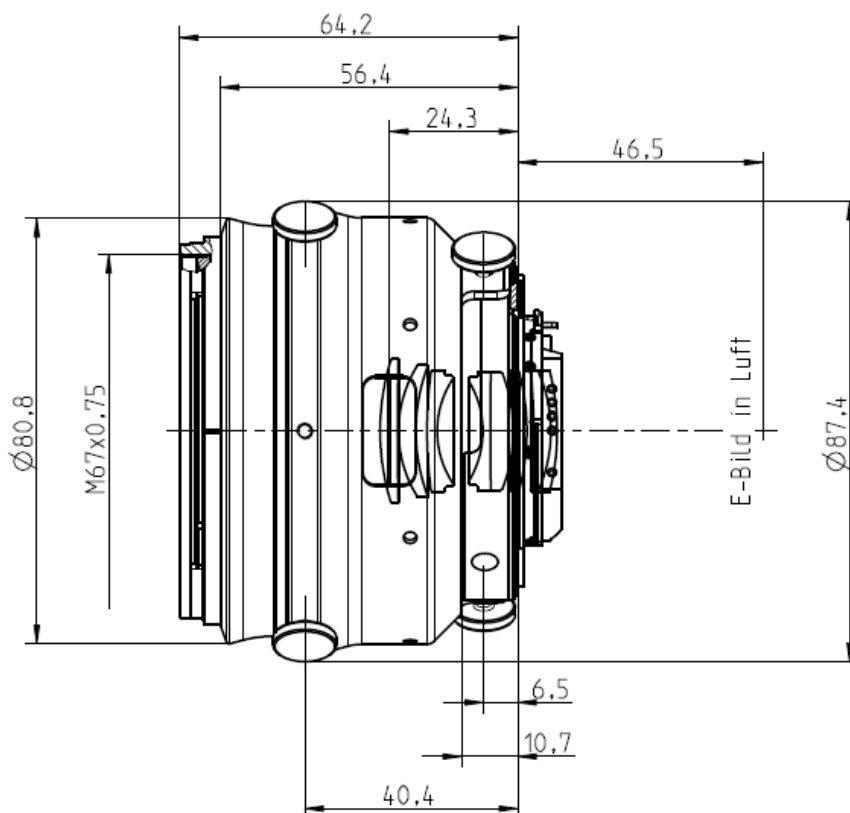
Camera Mounts

Available with F mount or M42 screw mount



ZEISS Interlock 2/50

Technical Specifications



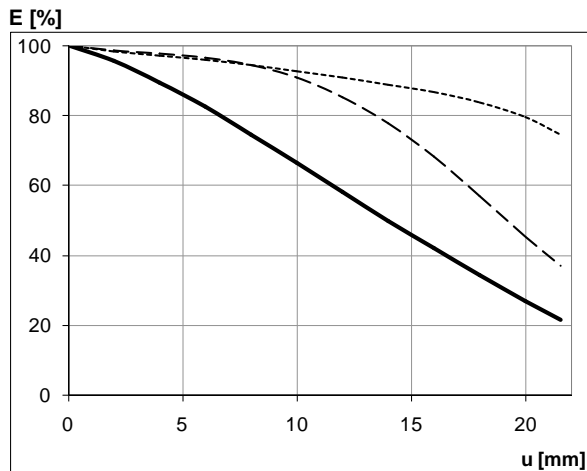
Focal length	50 mm
Aperture range	f/2 – f/22 (1/ 2 stop intervals or continuous)
Number of elements / groups	8 / 6
Min. working distance (object to sensor)	240 mm (0.78 ft.) – ∞
Min. free working distance	100 mm (0.33 ft.) – ∞
Angular field* (diag. / horiz. / vert.)	45 / 38 / 26°
Max. diameter of image field	43 mm (1.7")
Flange focal length	F-Mount: 46,5 mm (1.8"); M42-Mount: 45,5 mm
Coverage at close range	48 x 72 mm (1.9 x 2.8"), line 86 mm (3.3")
Image ratio at close range	1:2
Filter-thread	M 67 x 0.75
Weight	720 g (1.6 lbs.)
Camera mount	F bayonet, M42

* referring to 35 mm format



ZEISS Interlock 2/50

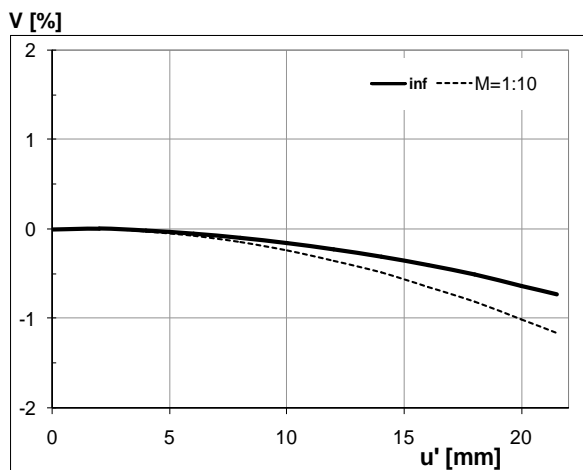
Relative Illuminance*



The relative illuminance shows the decrease in image brightness from the image center to the edge in percent.

— f-number 2
--- f-number 2.8
... f-number 5.6

Relative Distortion*



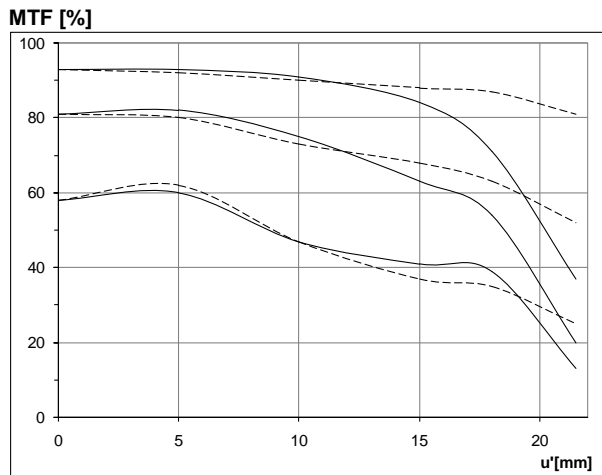
The relative distortion shows the deviation of the actual image height from the ideal one in percent.

*Data for infinite focus setting



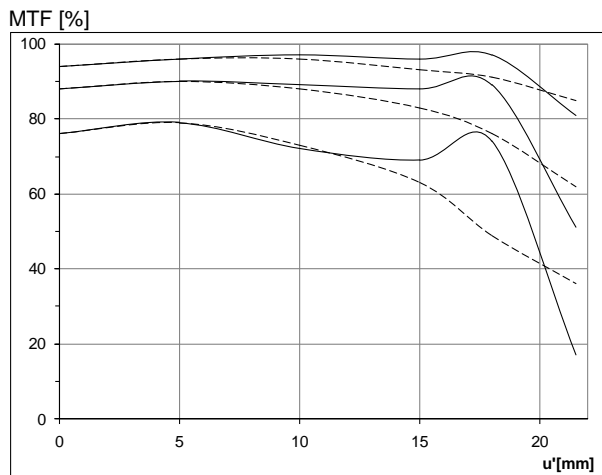
ZEISS Interlock 2/50

MTF Charts*



The Modulation Transfer (MTF) as a function of image height (u) and slit orientation (sagittal, tangential) has been measured with white light at spatial frequencies of $R = 10, 20$ and 40 cycles/mm.

f-number 2
— Saggital
... Tangential



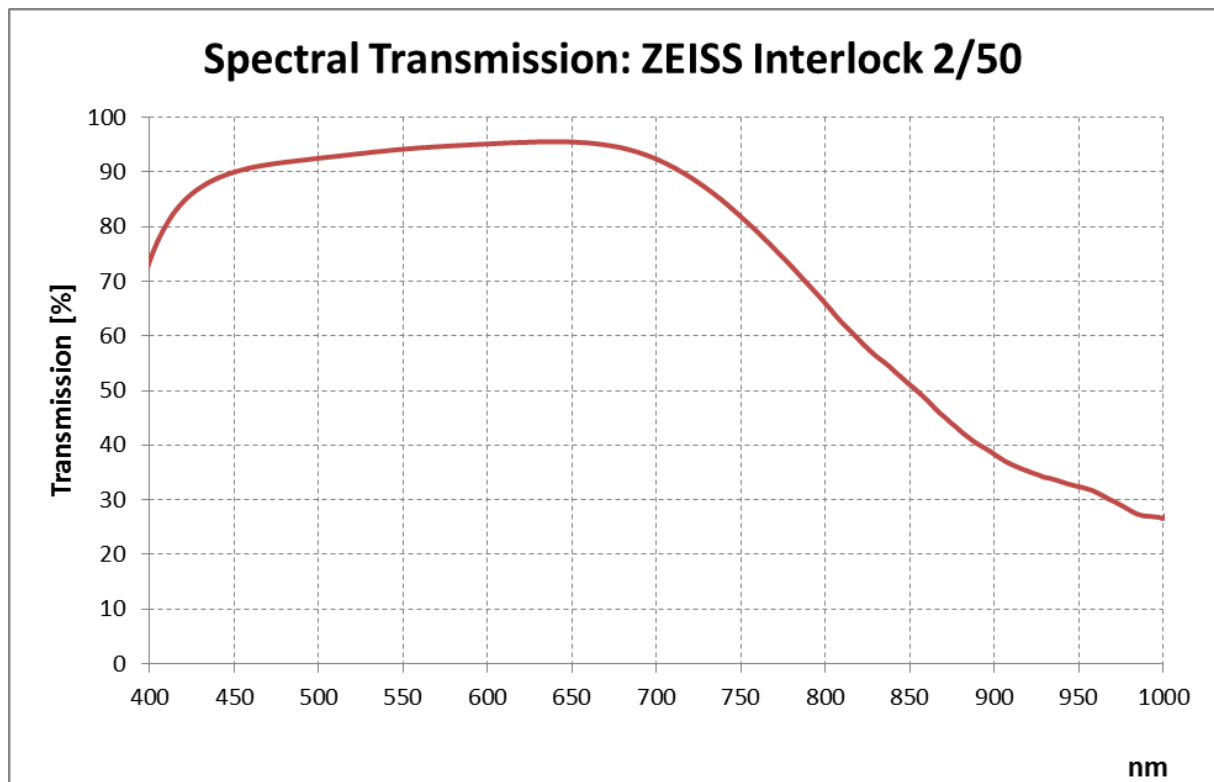
f-number 5.6
— Saggital
... Tangential

*Data for infinite focus setting



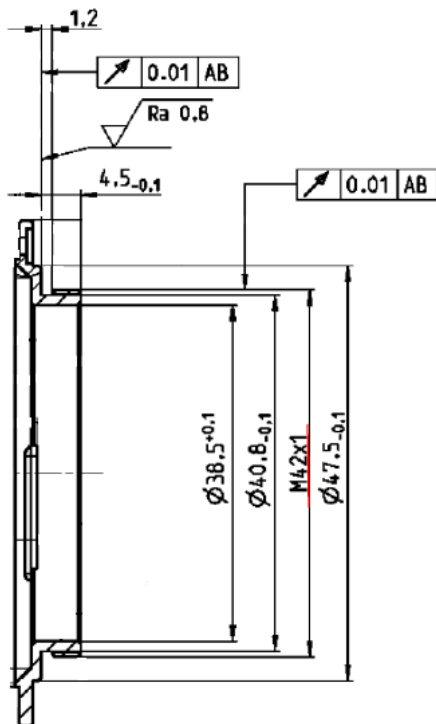
ZEISS Interlock 2/50

Spectral Transmission





ZEISS Interlock 2/50



M42 Mount for 45,5 mm Flange Focal Distance

The diameter of the camera/lens adapter must not exceed 55 mm at the lens side!